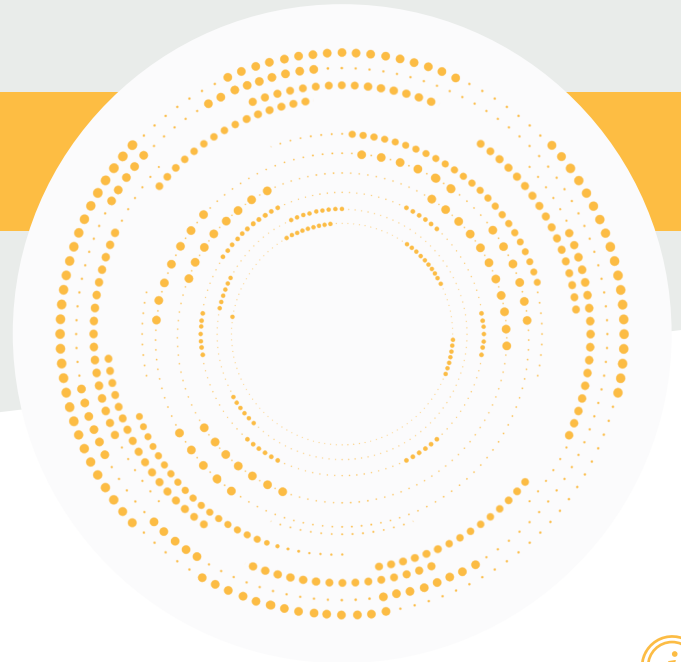


DLS | Dual Shear Beam Load Cell



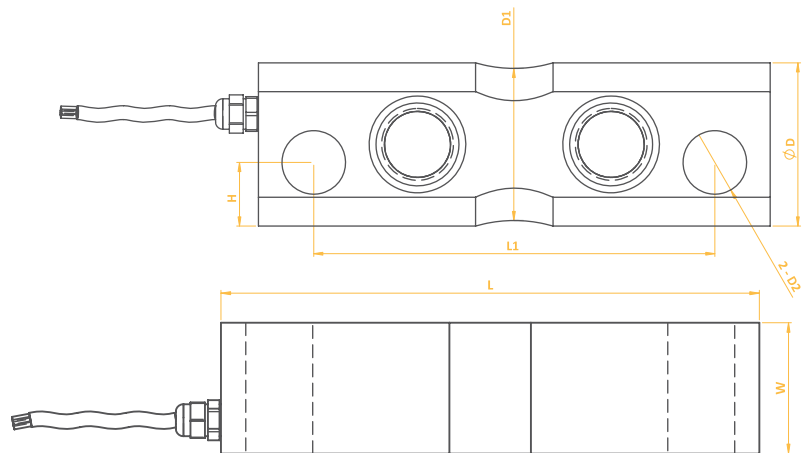
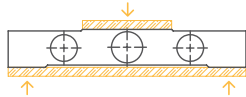
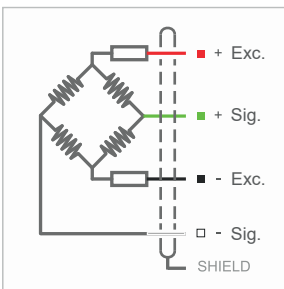
Product Description

The DLS dual-shear beam load cell, available in various capacity options ranging from 10 to 40 tons, is designed to meet your high-precision measurement needs. Its durable nickel-plated alloy or stainless steel body ensures long-lasting and reliable performance, even in demanding industrial conditions.

Technical Specifications

Capacity	10, 15, 20, 30, 40 Ton	Insulation Resistance	≤ 5000 MΩ (100 VDC)
Accuracy Class	C2	Compensated Operating Temperature	-10 ~ +40 °C
Min. Load	0 kg	Operating Temperature	-30 ~ +70 °C
Max. Division Count (nLC)	3000	Recommended Excitation Voltage	10 VDC
Min. Measuring Range (Y=Emax / Vmin)	10000	Max. Excitation Voltage (Umax)	15 VDC
Total Error	±0.02 %FS	Overload Capacity	150 % FS
Output Gain (FS)	2.00 ± 0.005mV/V	Breaking Load	300 % FS
Zero Balance	± 1 %FS	Protection Class	IP 68
Input Resistance	750 Ω ± 20 Ω	Material	Alloy / Stainless Steel
Output Resistance	702 Ω ± 3 Ω	Cable	4x022mm ²

Technical Dimensions and Drawings



Application Areas

Tank and Silo Weighing

Capacity	L	L1	W	D	D1	D2	H	R	Cable
10,15,20 Ton	185	145	45	59	55	23	23	R 50	10 M.
30,40 Ton	285	220	60	74	66	30	30	R 50	15 M.

