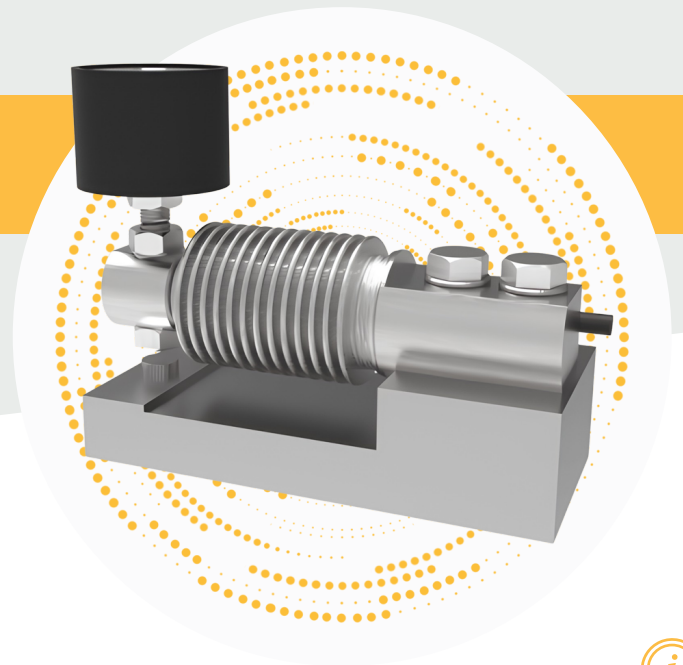


LSK

Mounting Kit

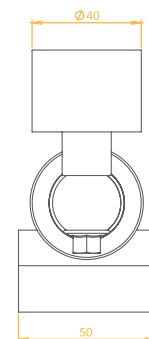
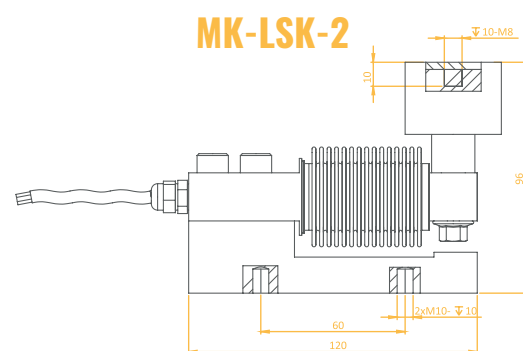
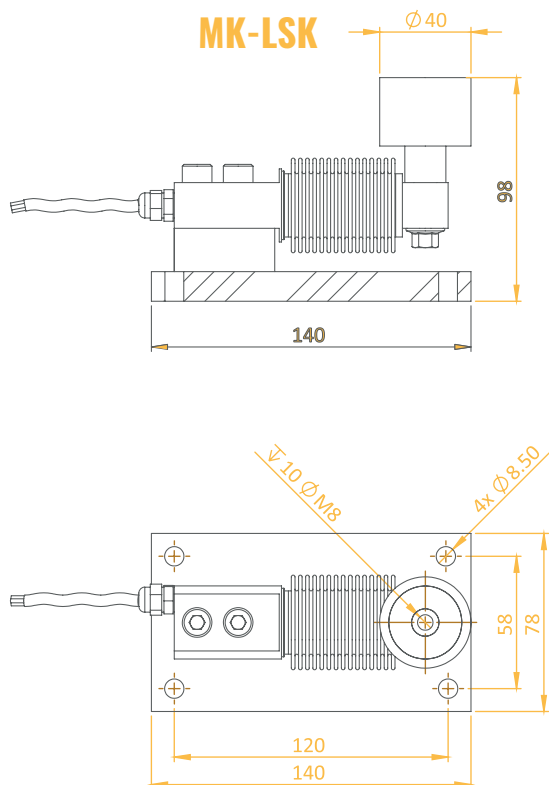


Product Description



LSK Mounting kits, enables stable weighing in vibrating or shocking systems. Eliminates problems arising from thermal expansion.

Technical Dimensions and Drawings



Application Areas

Tank weighing, Mixer weighing, and other industrial measuring applications involving impacts or variable loads.



LPTSENS
Load Cell and Industrial Weighing Systems